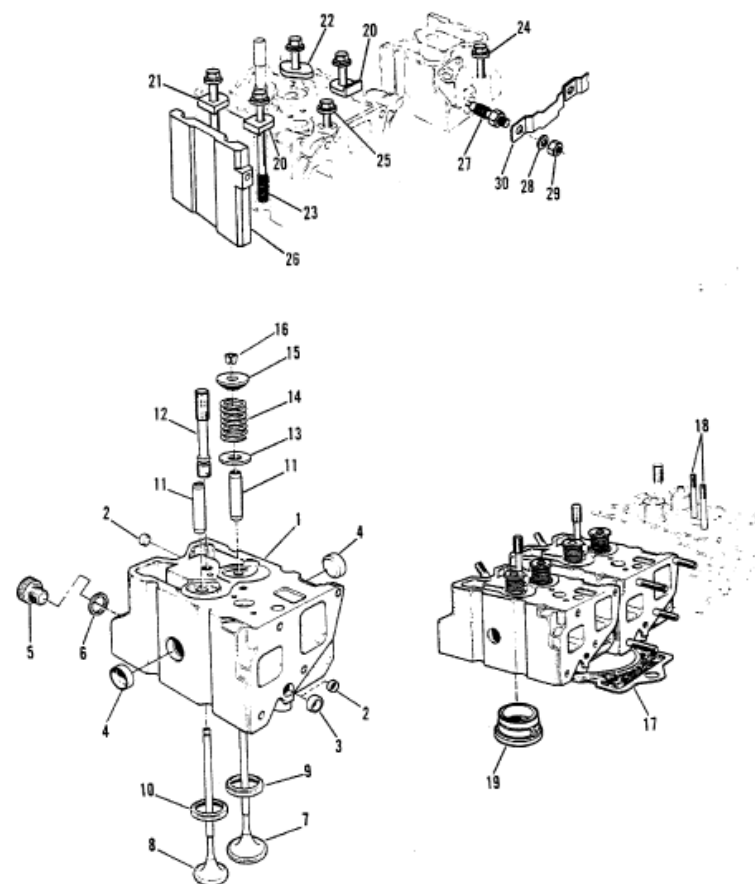


CYLINDER HEAD



Parts List

| Ref | Class | Part | Description | Qty | Comment | Footnote |
|-----|-------|-----------|--------------------------|-----|---------|----------|
| 1 | 989 | 821757 | CYLINDER HEAD (W/VALVES) | 6 | | |
| 2 | | 801331664 | COVER | 12 | | |
| 3 | 19 | 809937241 | EXPANSION PLUG | 6 | | |
| 4 | 19 | 811389 | EXPANSION PLUG | 12 | | |
| 5 | 10 | 801763377 | SCREW | 6 | | |
| 6 | 25 | 809963342 | O-RING | 6 | | 1 |
| 7 | | 811489 | INLET VALVE | 6 | | |
| 8 | | 811488 | OUTLET VALVE | 6 | | |
| 9 | | 811390 | INLET VALVE SEAT | 6 | | |
| 10 | | 811391 | OUTLET VALVE SEAT | 6 | | |
| 11 | | 801331659 | VALVE GUIDE (STANDARD) | 12 | | |
| 11 | | 801763692 | VALVE GUIDE (.10MM) | AR | | |
| 12 | 16 | 801331662 | STUD | 6 | | |
| 13 | | 801331752 | PLATE | 12 | | |
| 14 | 24 | 811388 | VALVE SPRING | 12 | | |
| 15 | | 801331754 | SPRING PLATE | 12 | | |
| 16 | | 801331755 | VALVE CONE | 24 | | |
| 17 | 27 | 823296 | GASKET (1.42MM) | 6 | | |
| 17 | 27 | 823297 | GASKET (1.52MM) | AR | | 2,1 |
| 17 | 27 | 823298 | GASKET (1.62MM) | AR | | |
| 18 | 16 | 801331666 | STUD | 12 | | |
| 19 | | 816809 | PRECHAMBER | 6 | | |
| 20 | | 801331671 | TERMINAL BRIDGE | 7 | | |
| 21 | | 801331673 | TERMINAL BRIDGE | 2 | | |
| 22 | | 801331674 | TERMINAL BRIDGE | 5 | | |
| 23 | 10 | 801331675 | BOLT | 14 | | |
| 24 | 10 | 801331677 | BOLT | 6 | | |
| 25 | 10 | 801331678 | BOLT | 6 | | |
| 26 | 23 | 801331670 | SPACER | 2 | | |
| 27 | 33 | 811495 | GLOW PLUG | 6 | | |
| 28 | 12 | 811496 | WASHER | 6 | | |
| 29 | 11 | 811497 | NUT | 6 | | |
| 30 | | 811494 | CONNECTING STRAP | 4 | | |
| 31 | 27 | 811490 | GASKET SET | | | |
| 32 | 27 | 811522 | GASKET SET | | | |